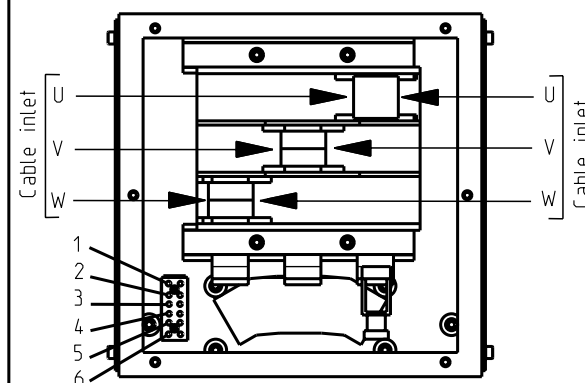


TERMINAL POWER BOX



U : phase U
 V : phase V
 W : Phase W

1 : + KTY sensor (brown)
 2 : - KTY sensor (white)
 3 : PTC 150°C thermal sensor (black)
 4 : PTC 150°C thermal sensor (black)
 5 : PTC 140°C thermal sensor (white)
 6 : PTC 140°C thermal sensor (blue)

Ground : M12 on rear flange

SENSOR CONNECTOR :

Cable definition follow documentation "commissioning and use"

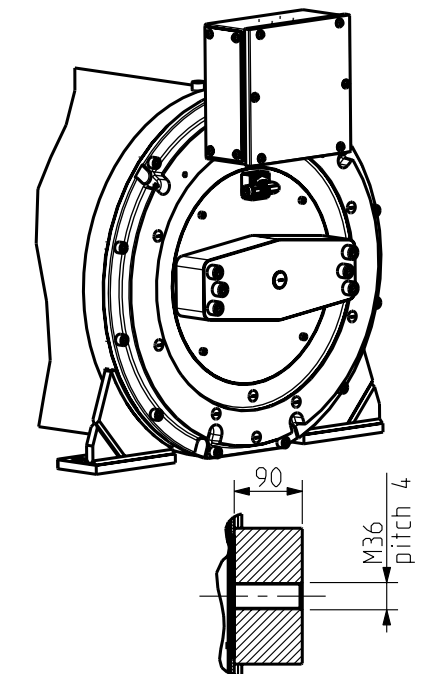
- 1 : U_p sensor
- 2 : no connection
- 3 : no connection
- 4 : OV sensor
- 5 : no connection
- 6 : no connection
- 7 : U_p
- 8 : CLOCK
- 9 : CLOCK\
- 10 : OV U_N
- 11 : no connection
- 12 : B+
- 13 : B-
- 14 : DATA
- 15 : A+
- 16 : A-
- 17 : DATA\



EnDat Interfaces
 Sinusoidal signal tension 1V_{CC}
 Power supply: 5V
 Max. operating temperature: 100°C

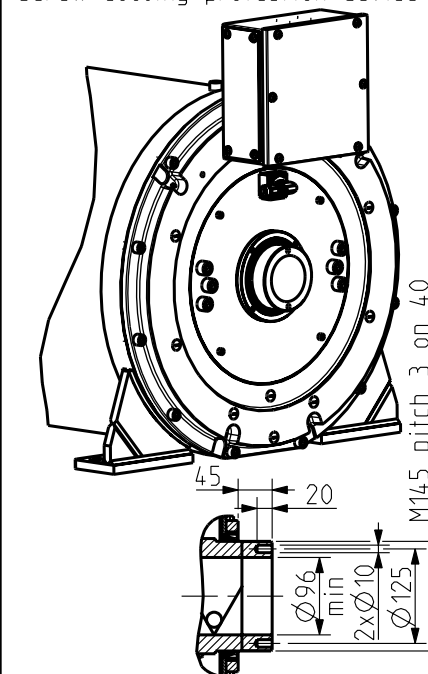
EXECUTION F

G view (Rear)
 Screw extraction from the FRONT



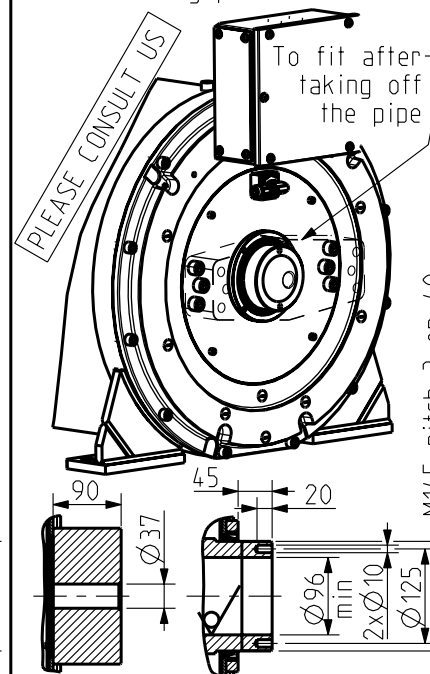
EXECUTION P

G view (Rear)
 Screw extraction from the FRONT
 Screw cooling protection device

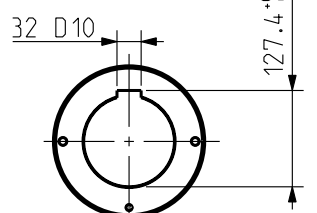


EXECUTION R

G view (Rear)
 Screw extraction from the REAR
 Screw cooling protection device



SHAFT END



SCALE 1:10

TECHNICAL SPECIFICATIONS

- Thrust bearing : 29440
- Degrees of protection : IP54
- Construction type : IMB3
- Vibration severity : Grade N

MOTORS SIZE	L1	L2	L3	L4
Up to TMW 406	899	739	310	250
TMW 407 to TMW 408	999	839	410	350
TMW 409 to TMW 40C	1199	1039	610	550

WEIGHT MOTORS	TMW 402	TMW 403	TMW 404	TMW 405	TMW 406	TMW 407	TMW 408	TMW 409	TMW 40A	TMW 40B	TMW 40C
kg	1285	1325	1365	1405	1445	1545	1585	1735	1775	1815	1855

Drawing valid for

Weight :

This document is the property of PARVEX. Transmission as well as reproduction or copy is not permitted without written authorisation.

Drawn	26/10/07	PR	Visa					
Modifications								

Scale 1:10

Parker
SSD Parvex
 8 Avenue du lac. BP249
 21007-DIJON cedex-FRANCE
 www.SSDdrives.com

TMW 400
 OUTLING DRAWING

Format	F	E	S	G	I
A3	x				
350255C40E0008					