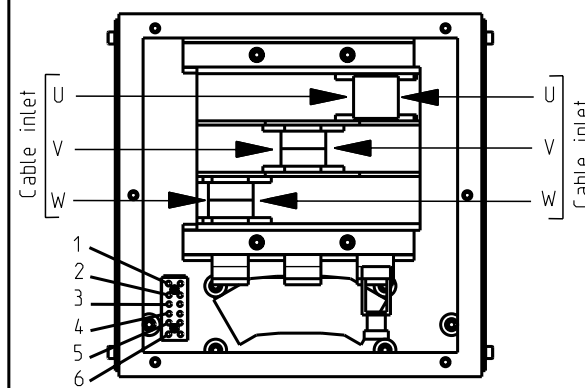


TERMINAL POWER BOX



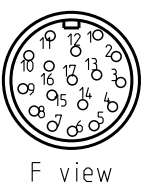
U : phase U
 V : phase V
 W : Phase W
 1 : + KTY sensor (brown)
 2 : - KTY sensor (white)
 3 : PTC 150°C thermal sensor (black)
 4 : PTC 150°C thermal sensor (black)
 5 : PTC 140°C thermal sensor (white)
 6 : PTC 140°C thermal sensor (blue)

Ground : M12 on rear flange

SENSOR CONNECTOR :

Cable definition follow documentation "commissioning and use"

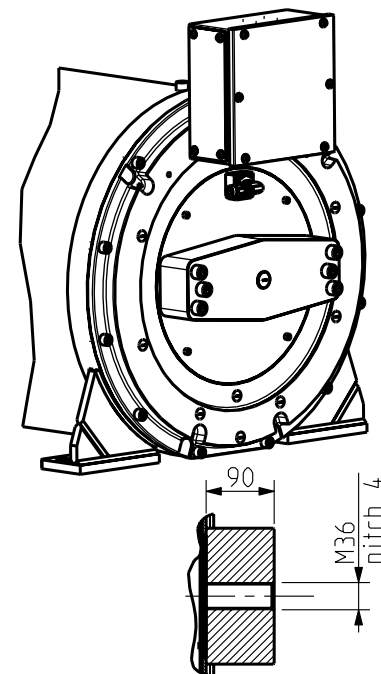
- 1 : U_p sensor
- 2 : no connection
- 3 : no connection
- 4 : OV sensor
- 5 : no connection
- 6 : no connection
- 7 : U_p
- 8 : CLOCK
- 9 : CLOCK\
- 10 : OV U_N
- 11 : no connection
- 12 : B+
- 13 : B-
- 14 : DATA
- 15 : A+
- 16 : A-
- 17 : DATA\



EnDat Interfaces
 Sinusoidal signal tension 1V_{CC}
 Power supply: 5V
 Max. operating temperature: 100°C

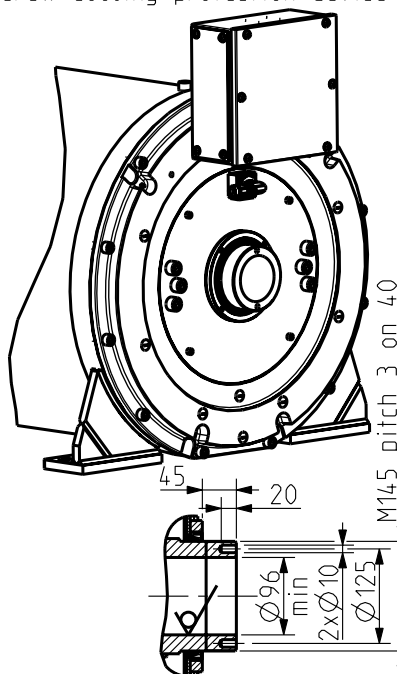
EXECUTION F

G view (Rear)
 Screw extraction from the FRONT



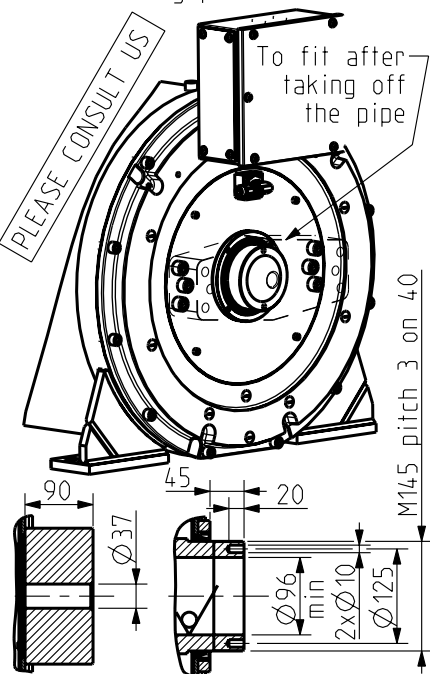
EXECUTION P

G view (Rear)
 Screw extraction from the FRONT
 Screw cooling protection device

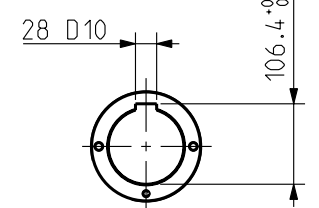


EXECUTION R

G view (Rear)
 Screw extraction from the REAR
 Screw cooling protection device



SHAFT END



SCALE 1:10

TECHNICAL SPECIFICATIONS

- Thrust bearing : 29430
- Degrees of protection : IP54
- Construction type : IMB3
- Vibration severity : Grade N

| MOTORS SIZE | L1 | L2 | L3 | L4 |
|--------------------|------|------|-----|-----|
| Up to TMW 406 | 867 | 707 | 310 | 250 |
| TMW 407 to TMW 408 | 967 | 807 | 410 | 350 |
| TMW 409 to TMW 40C | 1167 | 1007 | 610 | 550 |

| WEIGHT MOTORS Kg | TMW 402 | TMW 403 | TMW 404 | TMW 405 | TMW 406 | TMW 407 | TMW 408 | TMW 409 | TMW 40A | TMW 40B | TMW 40C |
|------------------|---------|---------|---------|---------|---------|---------|---------|---------|---------|---------|---------|
| | 1250 | 1290 | 1330 | 1370 | 1410 | 1510 | 1550 | 1700 | 1740 | 1780 | 1820 |

Drawing valid for

Weight :

This document is the property of PARVEX. Transmission as well as reproduction or copy is not permitted without written authorisation.

| | | | | | | | | | |
|---------------|----------|----------|----------|----|--|--|--|--|--|
| Drawn | 28/09/07 | PR | Visa | | | | | | |
| Modifications | | | | | | | | | |
| | A | AM 22829 | 03/10/07 | PR | | | | | |

Scale 1:10

Parker
SSD Parvex
 8 Avenue du lac. BP249
 21007-DIJON cedex-FRANCE
 www.SSDdrives.com

TMW 400
 OUTLING DRAWING

| | | | | | |
|------------------|---|---|---|---|---|
| Format | F | E | S | G | I |
| | | x | | | |
| 350255C30E0006 A | | | | | |