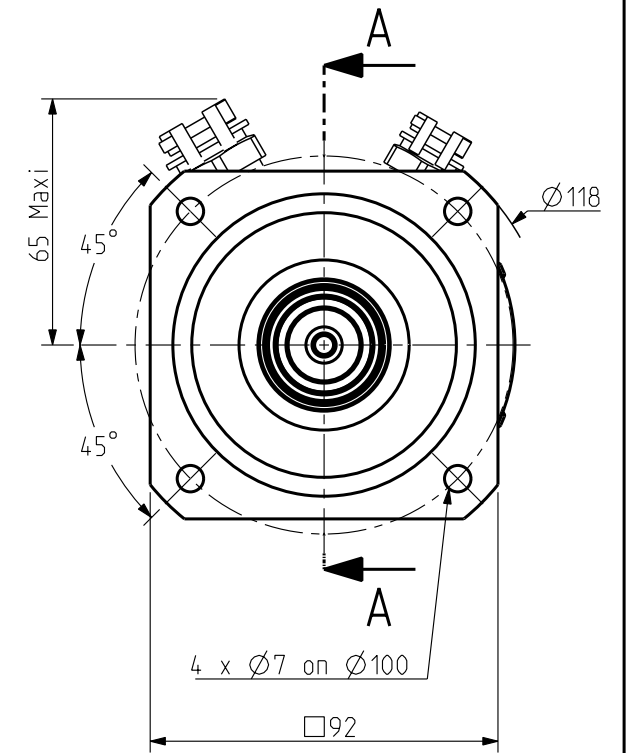
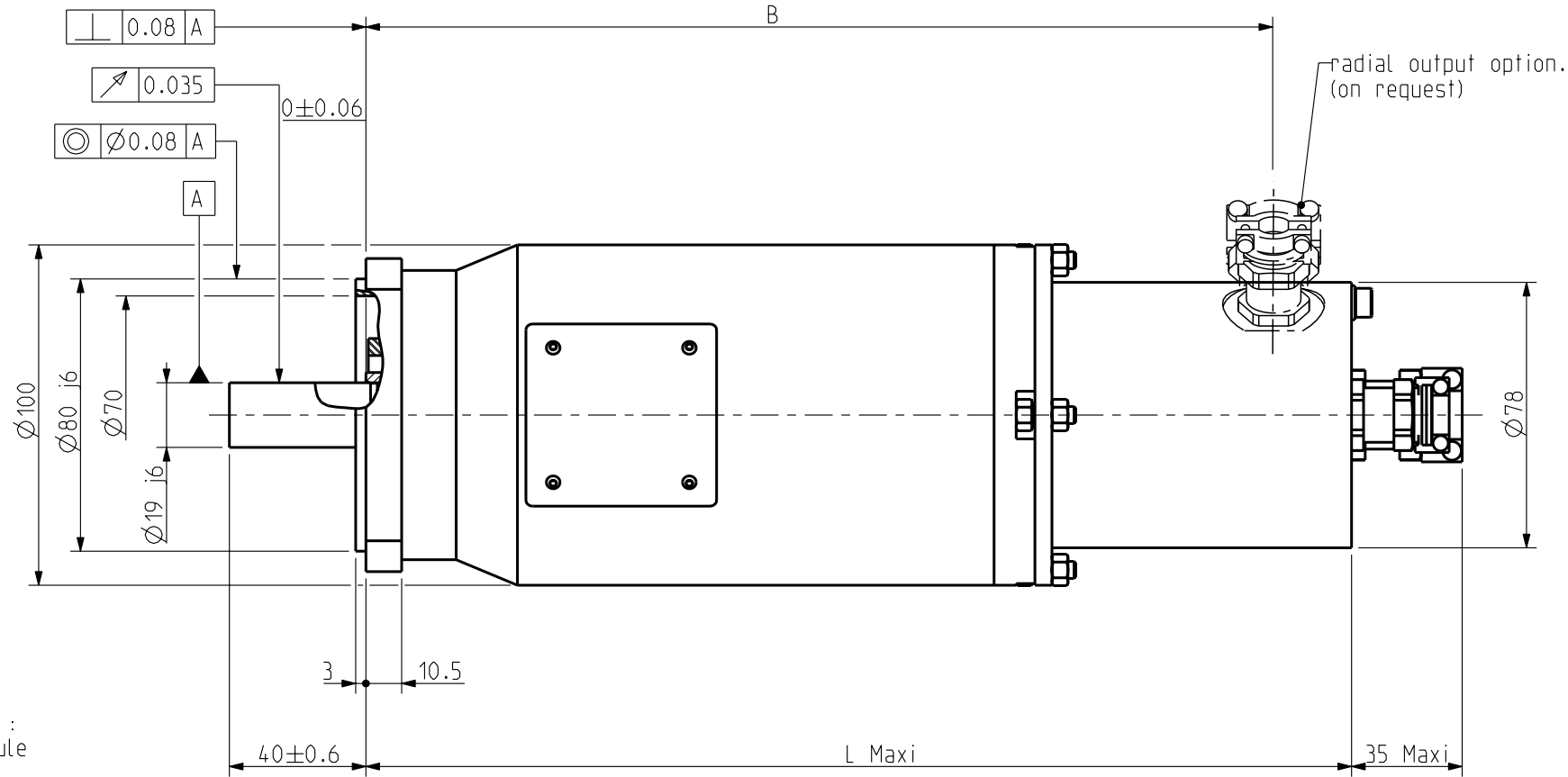




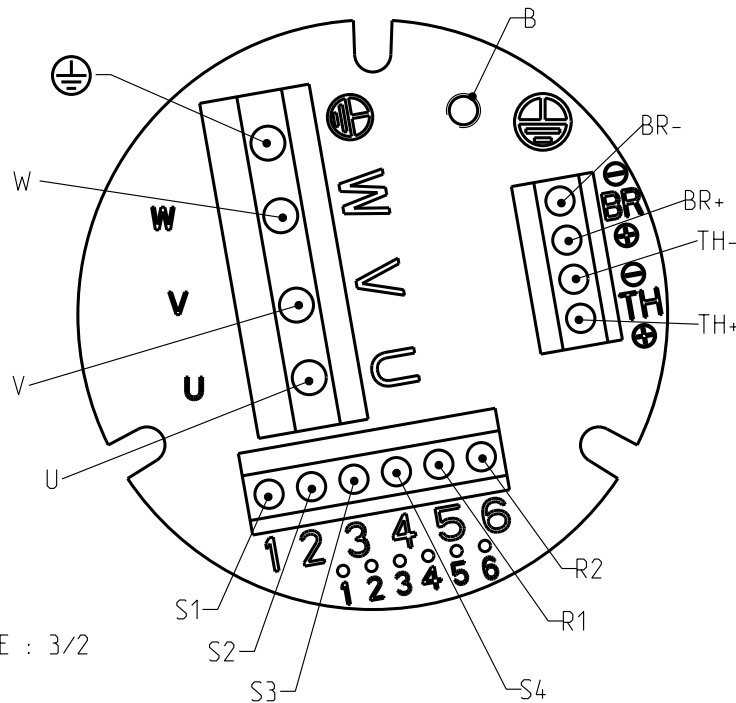
Power cable gland EExdIIB :  
Ø8.5-Ø16 + clamping module

Sensor cable gland EExdIIB :  
Ø6-Ø12 + clamping module



- U : Phase U
- V : Phase V
- W : Phase W
- TH- : Thermic protector
- TH+ : Thermic protector
- BR- : Brake-
- BR+ : Brake+
- S1 : Resolver 1
- S2 : Resolver 2
- S3 : Resolver 3
- S4 : Resolver 4
- R1 : Resolver 5
- R2 : Resolver 6
- B : Shield option (screw M3)
- ⊕ Ground

PRINTED CIRCUIT (under the cap)



SCALE : 3/2

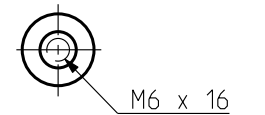


Protection II 2 G EEx d II B T4 :  
 \* EN 50014 : GENERAL RULES  
 \* EN 50018 : FLAMEPROOF "d"  
 \* EN 50281-1-1 : COMBUSTIBLE DUST  
 Certification : INERIS 04ATEX0097X

DIMENSIONS

	EX420	EX430
L Maxi	290	315
B	265	290

SHAFT END



BRAKE

Supply voltage : 24V ±10%  
 Static torque

	EX420	EX430
20 °C	6 Nm	6 Nm
100 °C	5 Nm	5 Nm

Drawing valid for : -

Weight :

This document is the property of PARVEX. Transmission as well as reproduction or copy is not permitted without written authorisation.

Drawn	19/01/05	SP	Visa					
Modifications								

Scale 1:2

PARVEX  
 8 Avenue du lac. BP249  
 21007-DIJON cedex-FRANCE  
 www.parvex.com

EX400  
 OUTLINE DRAWING

Format	F	E	S	G	I
A3	x	x			
344619AE1500 -					