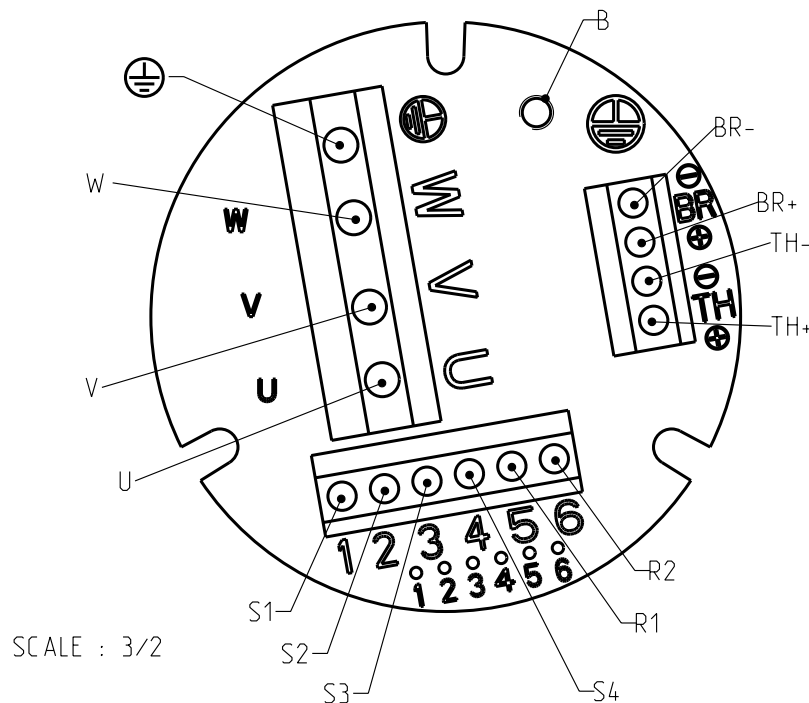


- U : Phase U
- V : Phase V
- W : Phase W
- TH- : Thermic protector
- TH+ : Thermic protector
- BR- : No connection
- BR+ : No connection
- S1 : Resolver 1
- S2 : Resolver 2
- S3 : Resolver 3
- S4 : Resolver 4
- R1 : Resolver 5
- R2 : Resolver 6
- B : Shield option (screw M3)
- ⊕ : Ground

PRINTED CIRCUIT (under the cap)



Protection II 2 G EEx d II B T4 :

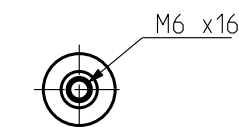
- * EN 50014 : GENERAL RULES
- * EN 50018 : FLAMEPROOF "d"
- * EN 50281-1-1 : COMBUSTIBLE DUST

Certification : INERIS 04ATEX0097X

DIMENSIONS

	EX420	EX430
L Maxi	265	290
B	240	265

SHAFT END



Drawing valid for : -

Weight :

This document is the property of PARVEX. Transmission as well as reproduction or copy is not permitted without written authorisation.

Drawn	19/01/05	SP	Visa					
Modifications								

Scale: 1:1

SSD DRIVES

PARVEX

8 Avenue du lac. BP249
21007-DIJON cedex-FRANCE
www.parvex.com

EX400

OUTLINE DRAWING

Format	F	E	S	G	I
A3	x	x			
344619AE1200 -					