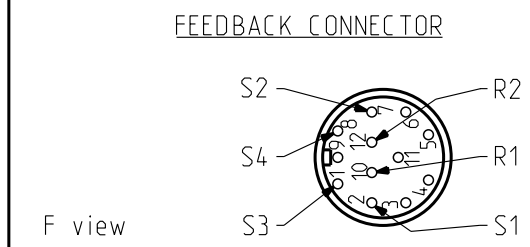


- 1 : Phase U
- 2 : Ground
- 3 : Phase W
- 4 : Phase V
- A : Brake +
- B : Brake -
- C, D : No connection



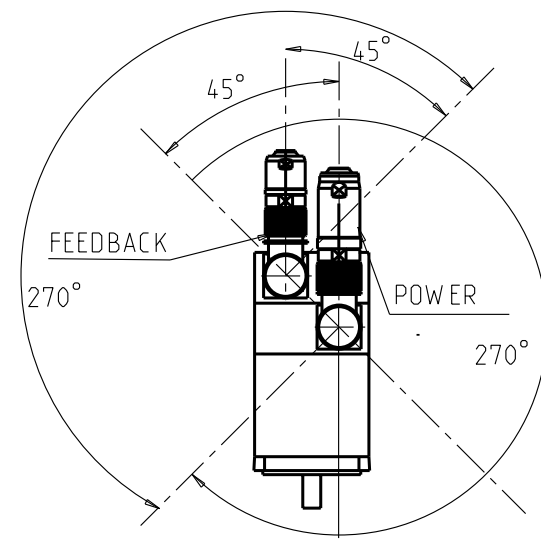
BRAKE

Supply voltage : 24V ±10%

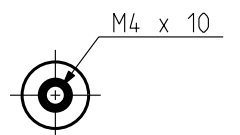
Static torque

100°	*
20°	1 Nm
temp	Torque

ORIENTATION OF CONNECTORS



SHAFT END



DIMENSIONS

	NX205	NX210
L Maxi	137	157
B	80	100

Drawing valid for :

Weight :

This document is the property of PARVEX. Transmission as well as reproduction or copy is not permitted without written authorisation.

Drawn	30/07/04	BB	Visa					
Modifications								
a	AM 21905 le 03/03/05 BB							

Scale: 4:5

PARVEX
8 Avenue du lac. BP249
21007-DIJON cedex-FRANCE
www.parvex.com

NX200
OUTLINE DRAWING

Format	F	E	S	G	I
A3	x	x			
344594AE7300 a					