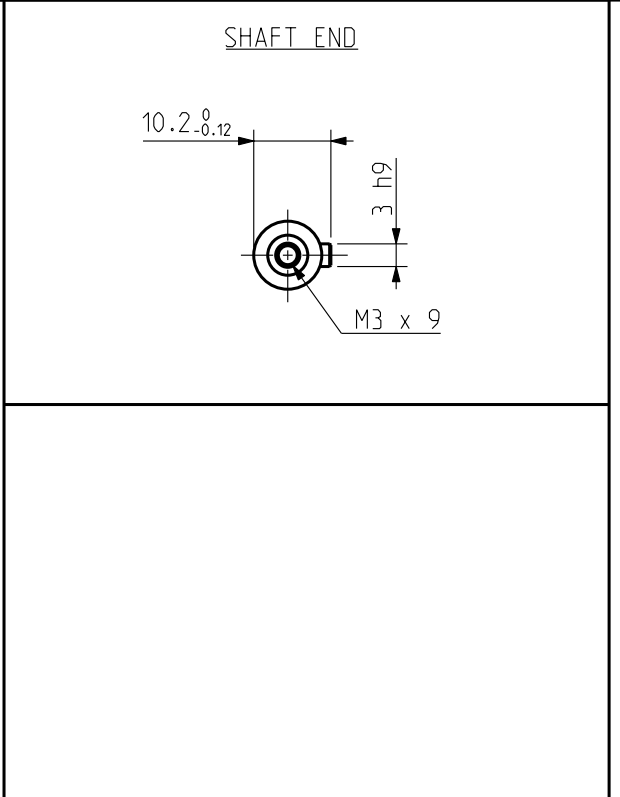


POWER : 4 x 0.5 mm <sup>2</sup>		BRAKE : 2 x 0.14 mm <sup>2</sup>	
black : phase U		green/red : +	
white : phase V		green/blue : -	
red : phase W		Brake wires outside shielding	
yellow/green : ground			
SIGNAL : 6 x 0.08 mm <sup>2</sup> , AWG28		BRAKE	
red/white : R1	yellow : S2	Supply voltage : 24V	±10%
yellow/white : R2	red : S3	Static torque	
black : S1	blue : S4		

	NX110
20°C	0.4 Nm
100°C	*



Weight :

This document is the property of PARVEX. Transmission as well as reproduction or copy is not permitted without written authorisation.

Drawn	09/11/04	PR	Visa						
Modifications									

Scale 1:1

**SSD DRIVES**

PARVEX

8 Avenue du lac. BP249  
21007-DIJON cedex-FRANCE  
www.parvex.com

NX100 + FREIN

OUTLINE DRAWING

Format	F	E	S	G	I
A3	x	x			
344581AE4301 -					