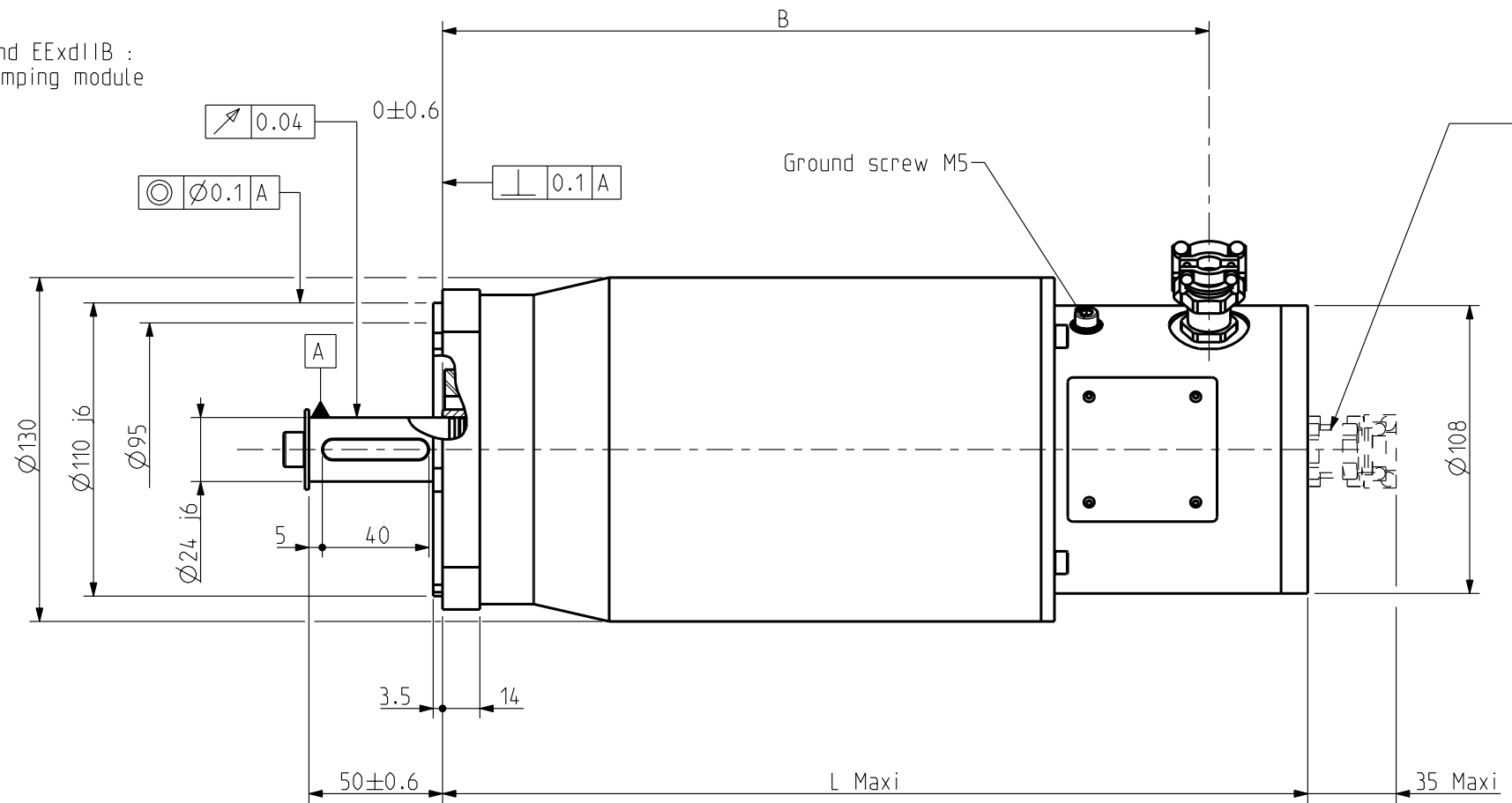
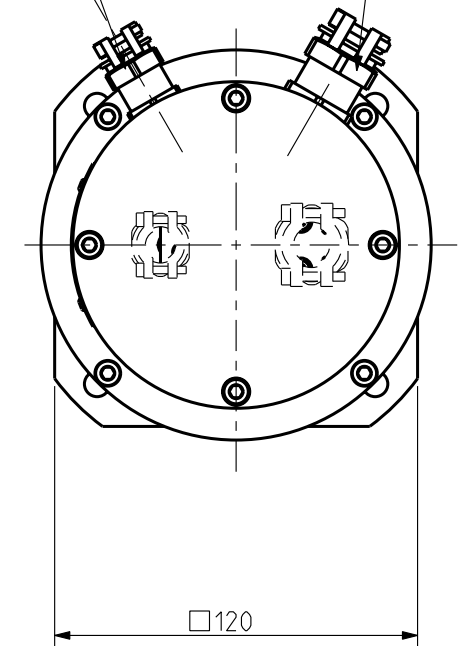
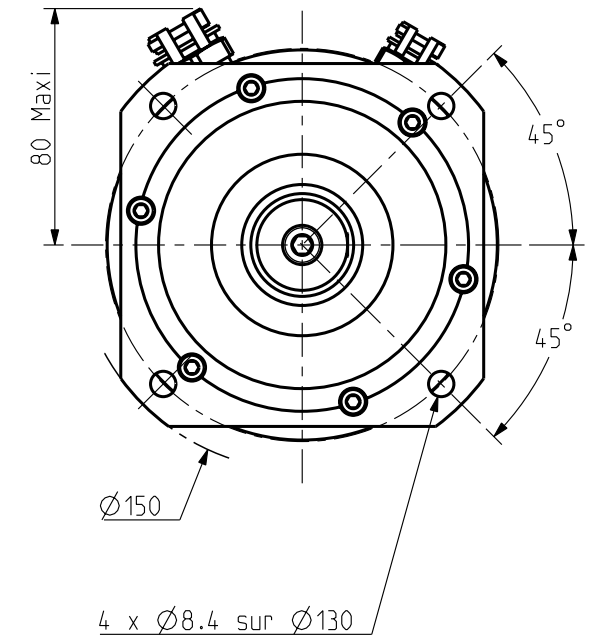


Sensor cable gland EExdIIB :
 $\varnothing 6$ - $\varnothing 12$ + clamping module
 Power cable gland EExdIIB :
 $\varnothing 8.5$ - $\varnothing 16$ + clamping module

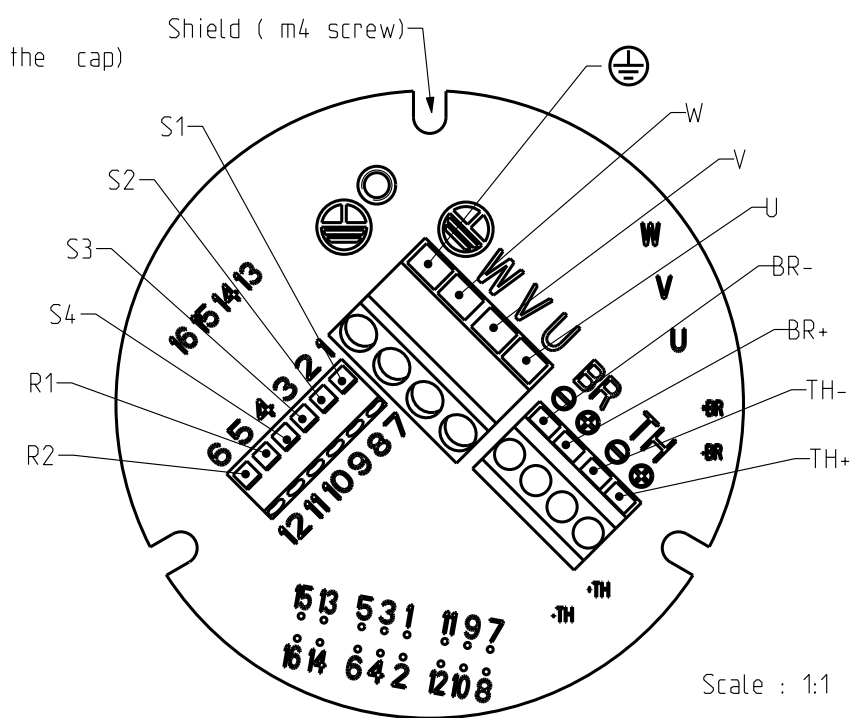


Axial output option
 (on request)



- U : Phase U
- V : Phase V
- W : Phase W
- TH- : Thermic protector
- TH+ : Thermic protector
- BR- : Frein -
- BR+ : Frein +
- S1 : Resolver 1
- S2 : Resolver 2
- S3 : Resolver 3
- S4 : Resolver 4
- R1 : Resolver 5
- R2 : Resolver 6
- ⊕ : Ground

PRINTED CIRCUIT (under the cap)

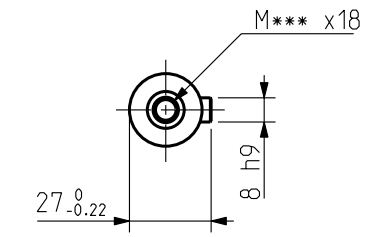


Protection II 2 G EEx d II B T4 :
 * EN 50014 : GENERAL RULES
 * EN 50018 : FLAMEPROOF "d"
 Certification : INERIS **ATEX****X

DIMENSIONS

	EX620	EX630
L Maxi	300	325
B	260	285

SHAFT END



Drawing valid for : -

Weight :

This document is the property of PARVEX. Transmission as well as reproduction or copy is not permitted without written authorisation.

Drawn	SP	Visa						
Modifications								

Scale
 2:5



EX600
 OUTLINE DRAWING

Format	F	E	S	G	I
A3	x	x			
344550AE1501					