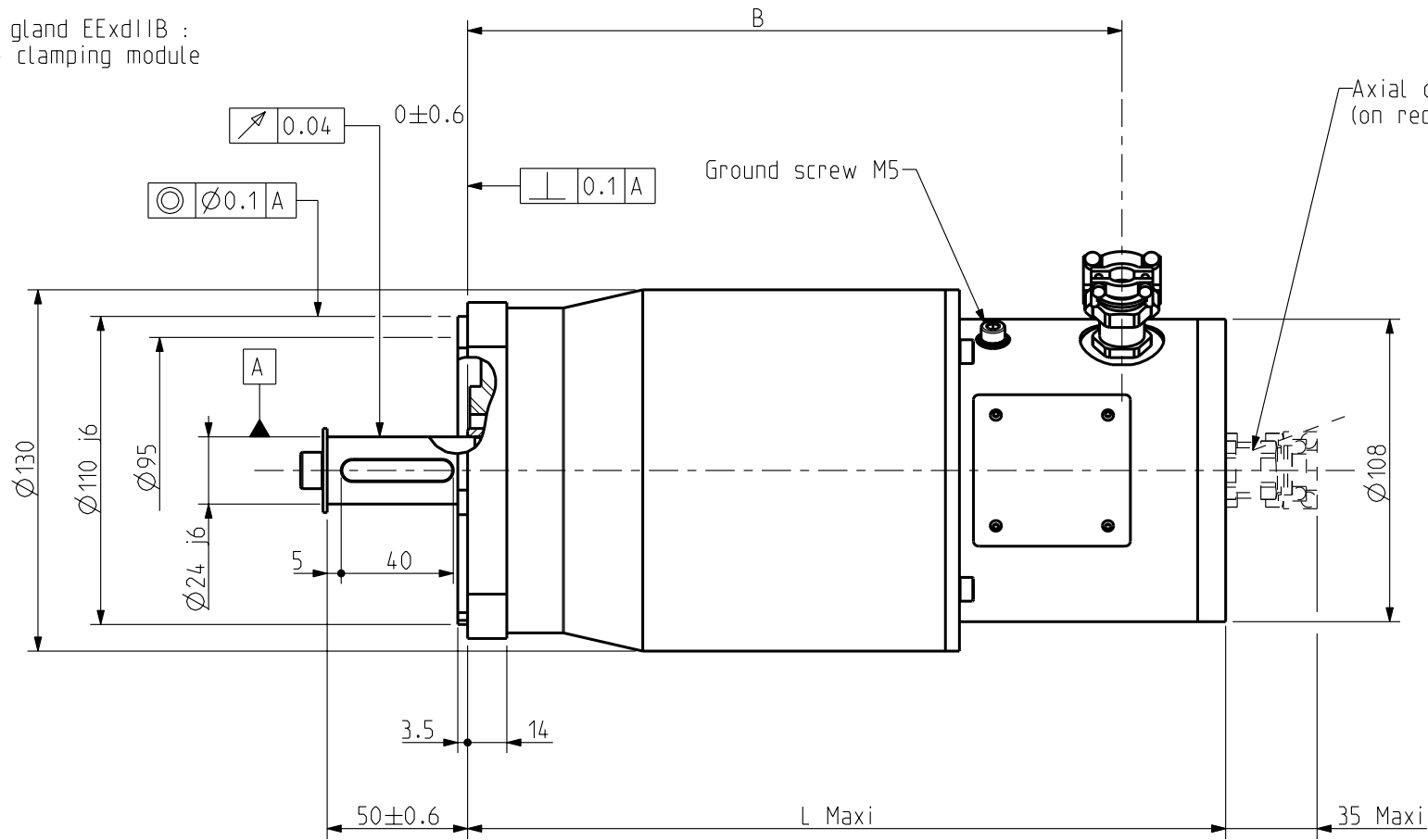
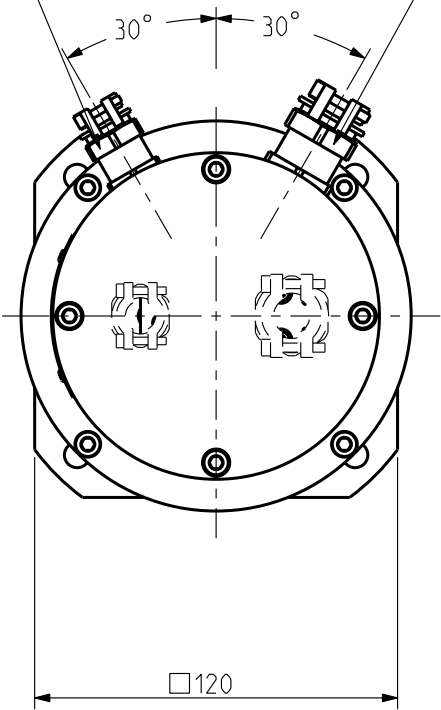
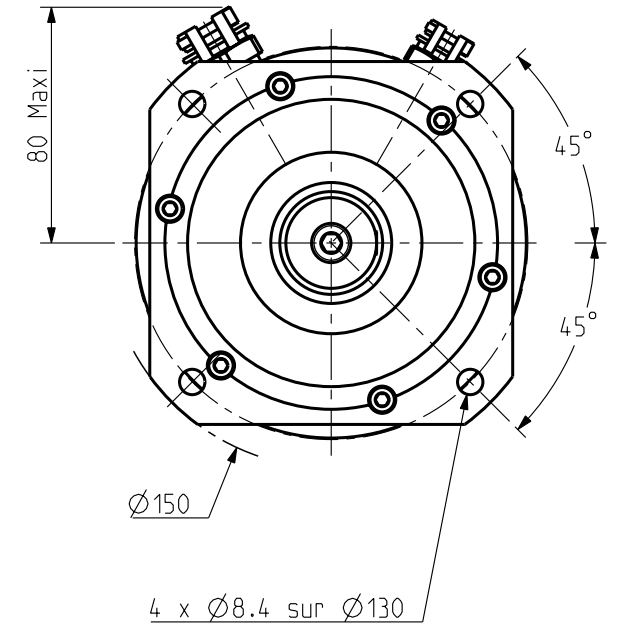


Sensor cable gland EExdIIB :
 $\varnothing 6$ - $\varnothing 12$ + clamping module

Power cable gland EExdIIB :
 $\varnothing 8.5$ - $\varnothing 16$ + clamping module

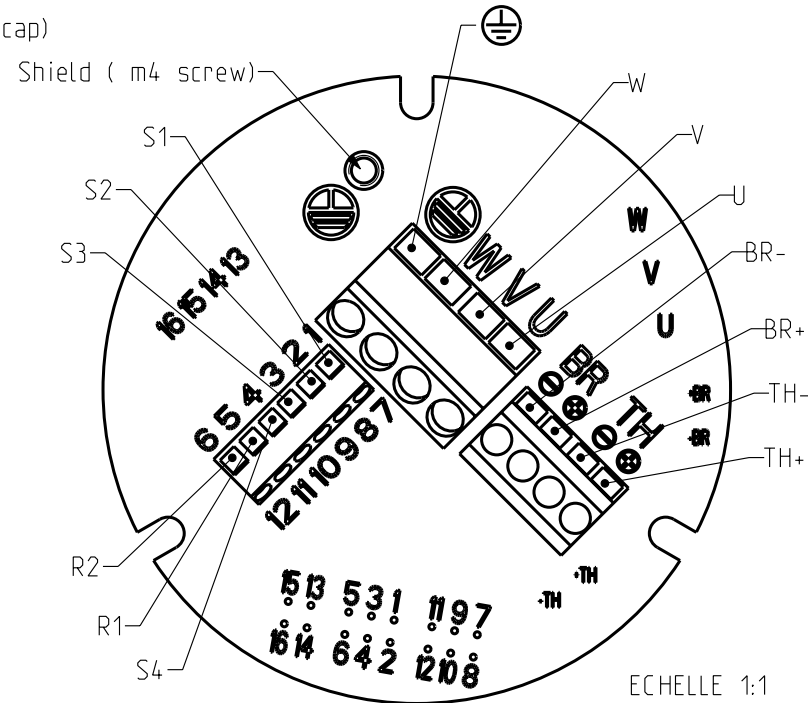


Axial output option
 (on request)



PRINTED CIRCUIT (under the cap)

- U : Phase U
- V : Phase V
- W : Phase W
- TH- : Thermic protector
- TH+ : Thermic protector
- BR- : No connection
- BR+ : No connection
- S1 : Resolver 1
- S2 : Resolver 2
- S3 : Resolver 3
- S4 : Resolver 4
- R1 : Resolver 5
- R2 : Resolver 6
- ⊕ Ground



ECHELLE 1:1



Protection II 2 G EEx d II B T4 :

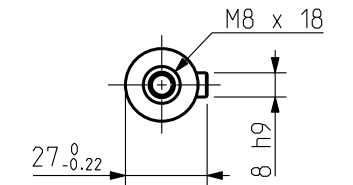
- * EN 50014 : GENERAL RULES
- * EN 50018 : FLAMEPROOF "d"

Certification : INERIS **ATEX****X

DIMENSIONS

	EX620	EX630
L Maxi	275	300
B	235	260

SHAFT END



Drawing valid for : -

Weight :

This document is the property of PARVEX. Transmission as well as reproduction or copy is not permitted without written authorisation.

Drawn	15/03/04	SP	Visa					
Modifications	b	AM 21881 le 08/02/05 SP						
	a	AM 21794 le 09/11/04 SP						

Scale
2:5

PARVEX
 8 Avenue du Lac. BP249
 21007-DIJON cedex-FRANCE
 www.parvex.com

EX600
 OUTLINE DRAWING

Format	F	E	S	G	I	
A3	x					
344550AE1201						b