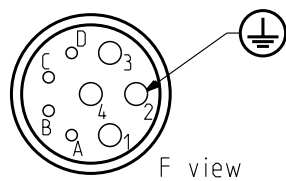
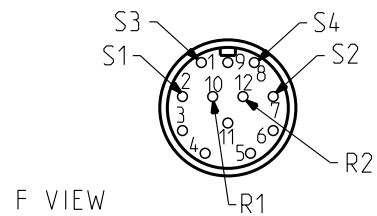


POWER CONNECTOR

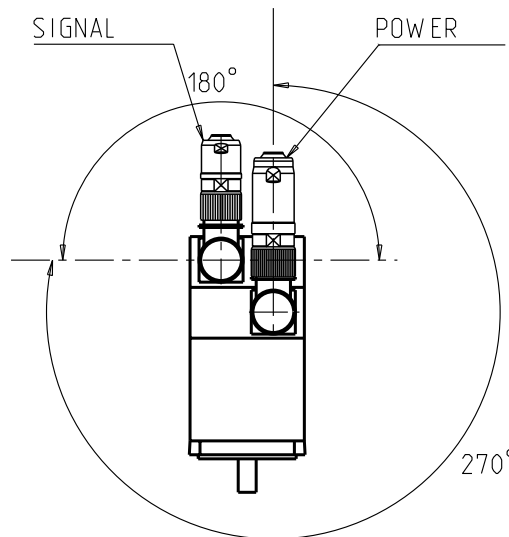


- 1 : Phase U
- 2 : Ground
- 3 : Phase W
- 4 : Phase V
- A : No connection
- B : No connection
- C, D : No connection

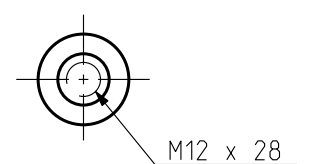
FEEDBACK CONNECTOR



ORIENTATION OF CONNECTORS



SHAFT END



DIMENSIONS

	NX820	NX840	NX860
L maxi	200	260	320
B	134	194	254
C	128	188	248

Weight :

This document is the property of PARVEX. Transmission as well as reproduction or copy is not permitted without written authorisation.

Drawn	19/03/2003	GM	Visa
Modifications	c	AM 21995 le 30/05/05 OD	
	b	AM 21840 le 04/01/05 YG	
	a	AM 21359 du 02/04/2003 GM	

Scale
3/8



NX800
OUTLINE DRAWING

Format	F	E	S	G	I
A3	x	x			
344469AE7000 c					