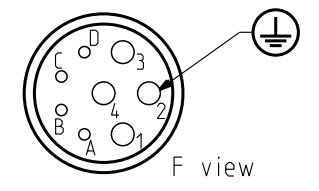
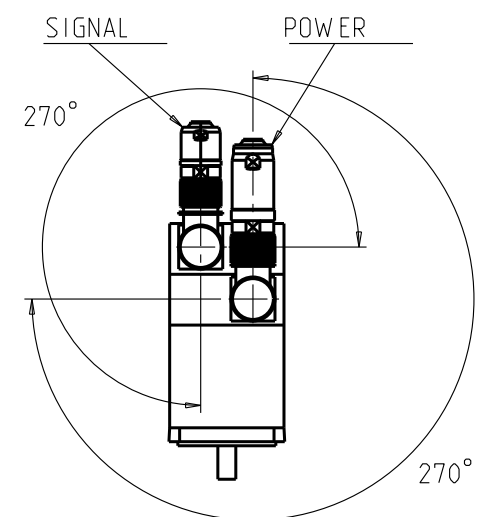


POWER CONNECTOR

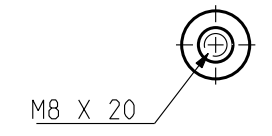


- 1 : Phase U
- 2 : Ground
- 3 : Phase W
- 4 : Phase V
- A : Brake +
- B : Brake -
- C, D : No connection

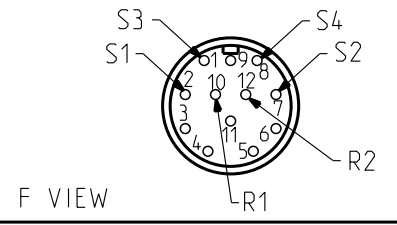
ORIENTATION OF CONNECTORS



SHAFT END



FEEDBACK CONNECTOR



BRAKE

Supply voltage : 24V ±10%
Static torque

	NX620	NX630
20°C	12 Nm	12 Nm
100°C	10 Nm	10 Nm

DIMENSIONS

	NX620	NX630
L Maxi	236	265
B	130	159

Weight :

This document is the property of PARVEX. Transmission as well as reproduction or copy is not permitted without written authorisation.

Drawn	26/11/99	AA	Visa	
Modifications	c	AM 21160 20/09/02 SP	f	AM 21886 le 19/04/05 YG
	b	AM 20589 05/01/01 RG	e	AM 21359 02/04/03 NV
	a	AM 20316 09/05/00 PR	d	AM 21176 01/10/02 SP

Scale: 3:8

SSD DRIVES
PARVEX
8 Avenue du lac. BP249
21007-DIJON cedex-FRANCE
www.parvex.com

NX600 + BRAKE
OUTLINE DRAWING

Format	F	E	S	G	I
A3	x	x			
344189AE7300					
f					