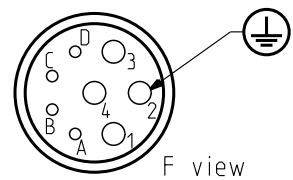
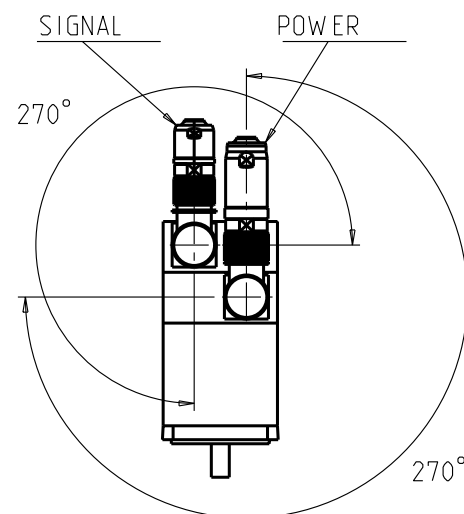


**POWER CONNECTOR**

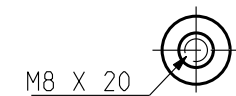


- 1 : Phase U
- 2 : Ground
- 3 : Phase W
- 4 : Phase V
- A : No connection
- B : No connection
- C, D : No connection

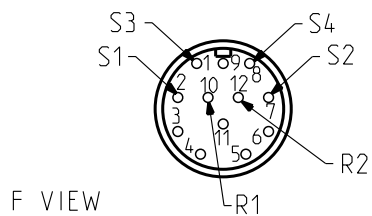
**ORIENTATION OF CONNECTORS**



**SHAFT END**



**FEEDBACK CONNECTOR**



**DIMENSIONS**

	NX620	NX630
L Maxi	181	210
B	130	159

Weight :

This document is the property of PARVEX. Transmission as well as reproduction or copy is not permitted without written authorisation.

Drawn	26/11/99	AA	Visa
Modifications	c	AM 21160 20/09/02 SP	f
	b	AM 20589 05/01/01 RG	e
	a	AM 20316 09/05/00 PR	d
			f
			e
			d



Scale

3:8

**SSD DRIVES**  
**PARVEX**  
 8 Avenue du lac. BP249  
 21007-DIJON cedex-FRANCE  
 www.parvex.com

NX600

OUTLINE DRAWING

Format	F	E	S	G	I	
A3	x	x				
344189AE7000 f						