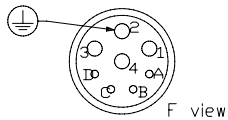
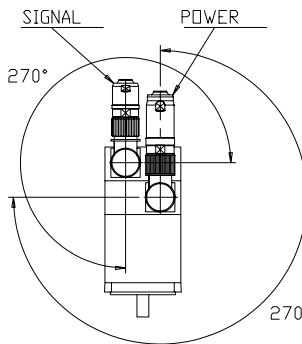


POWER CONNECTOR

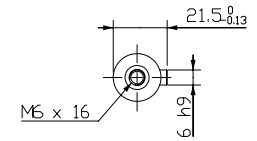


- 1 : Phase U
- 2 : Ground
- 3 : Phase W
- 4 : Phase V
- A : No connection
- B : No connection
- C, D : Temperature sensor (option)

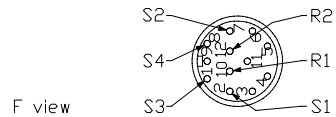
ORIENTATION OF CONNECTORS



SHAFT END



FEEDBACK CONNECTOR



RESOLVER

Feed frequency..... : 8 kHz
 Supply voltage..... : 7 V RMS
 Input current..... : 70 mA Maxi
 Max. electrical error..... : 20° Maxi
 Transformation ratio..... : 0.5 typical
 Phase shift..... : 20° Maxi
 Polarity..... : 1 pair of poles

RELUCTANCE SENSOR

Feed frequency..... : 8 kHz
 Input voltage..... : 7 V RMS
 Input current..... : 71 mA Maxi
 Max. electrical error..... : 8° Maxi
 Transformation ratio..... : 0.33 typical
 Phase shift..... : 15° Maxi
 Polarity..... : 5 pairs of poles

DIMENSIONS

	NX420	NX430
L Maxi	175	200
B	120	145

Drawing valid for : R7001 - R7003

Weight :

Drawn	26/06/00	PB	Visa				
Modifications	c	AM 21117 22/08/02 SP					
	b	AM 21012 19/03/02 RG					
	a	AM 20589 05/01/01 RG	d	AM 21359 02/04/03 NV			



Scale
1:2

PARVEX
 8 Avenue du lac. BP249
 21007-DIJON cedex-FRANCE
 www.parvex.com

NX400

OUTLINE DRAWING

Format	F	E	S	G	I
A3	x	x			
344178E7001					d

This document is the property of PARVEX. Transmission as well as reproduction or copy is not permitted without written authorisation.