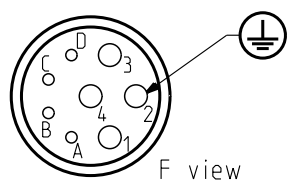
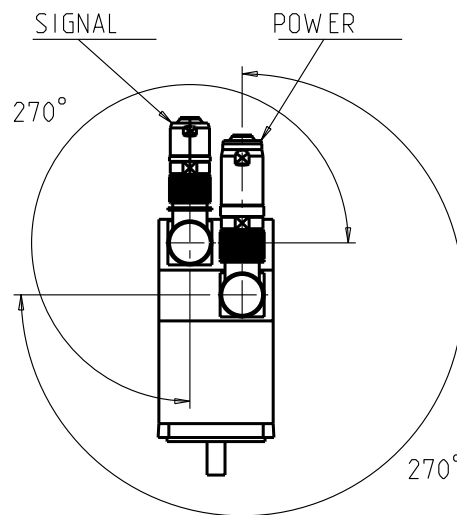


POWER CONNECTOR

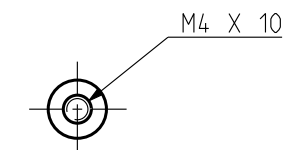


- 1 : Phase U
- 2 : Ground
- 3 : Phase W
- 4 : Phase V
- A : Brake +
- B : Brake -
- C, D : No connection

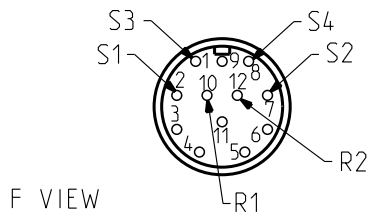
ORIENTATION OF CONNECTORS



SHAFT END



FEEDBACK CONNECTOR



BRAKE

Supply voltage : 24V ±10%
Static torque

	NX310
20 °C	2 Nm
100 °C	1.8 Nm

Weight :

This document is the property of PARVEX. Transmission as well as reproduction or copy is not permitted without written authorisation.

Drawn	21/04/99	PB	Visa				
Modifications	c	AM 20315 07/07/00 DL	f	AM 21359 02/04/03 NV			
	b	AM 20179 26/11/99 PB	e	AM 21110 23/07/02 SP			
	g	AM 22000 16/06/05 SP	d	AM 20589 10/01/01 PB			

Scale
7:10



NX300 + BRAKE
OUTLINE DRAWING

Format	F	E	S	G	I	
A3	x	x				
344167AE7300						g